

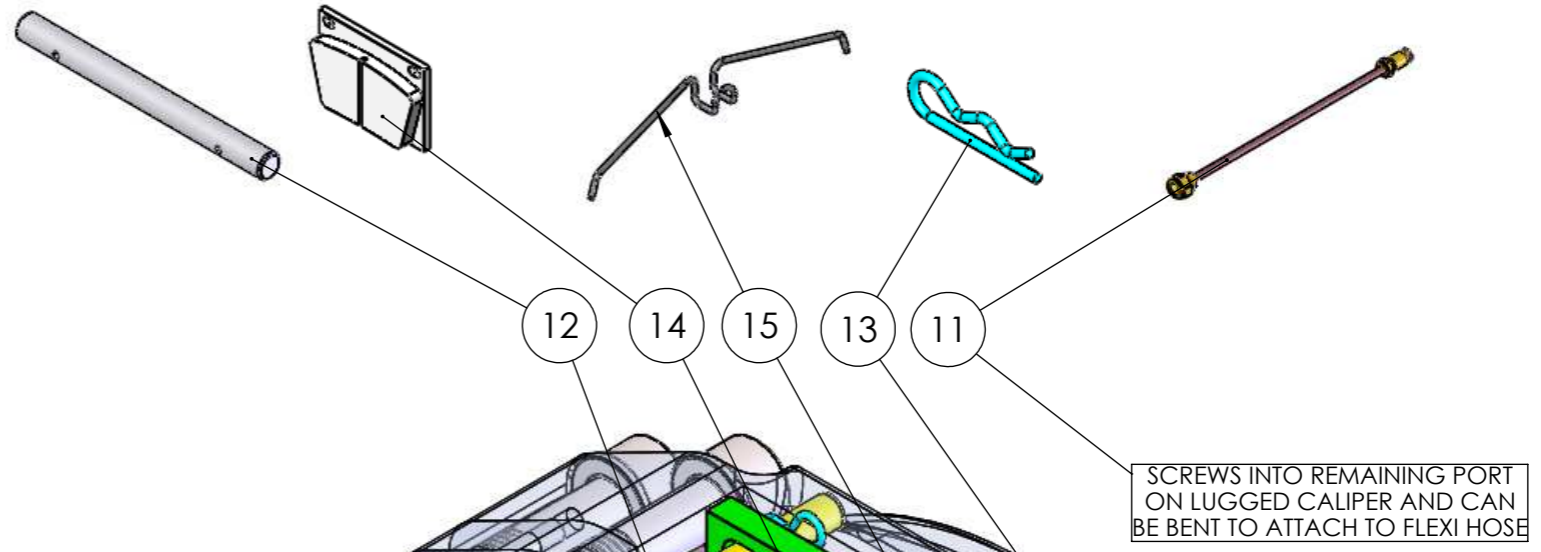
BALLOON NO.	DESCRIPTION	QUANTITY	PART NO.			
			BCC 0108		BCC 0101	
			CAST VENTED	CAST NON-VENTED	ALUMINIUM VENTED	ALUMINIUM NON-VENTED
1	Lugged Caliper	2	BCC 0003	BCC 0001	BCC 0005	
2	Plain Caliper	2	BCC 0004	BCC 0002	BCC 0006	
3	Spacers	4	N/A	N/A	BCC 0054	N/A
4	Pistons	8	BCC 0046			
5	Seal Kits	2	BCC 0043			
6	Bolts	8	M10X55BZP	M10X45BZP	M10X55BZP	M10X45BZP
7	Washers	8				
8	Dowels	8	DP884X28	DP554X20	DP884X28	DP554X20
9	Bleed Nipple	2	BCC 0042			
10	Bridge Pipe	2	BCC 0034	BCC 0033	BCC 0034	BCC 0033
11	Feed Pipes	2	BCC 0051			
12	Brake Pad Pins	4	BCC 0037	BCC 0035	BCC 0037	BCC 0035
13	Brake Pad Pin Clips	8	1.2MM R CLIP			
14/15	Brake Pads & Springs	1	NORMAL PADS: DP108 PREMIUM PADS: DP2108			
6	Stainless Steel Bolts	8	BCC 0039	BCC 0038	BCC 0039	BCC 0038

REV.	DESCRIPTION	DATE	DRAWN
0	ORIGINAL DRAWING	09/09/2016	NTW

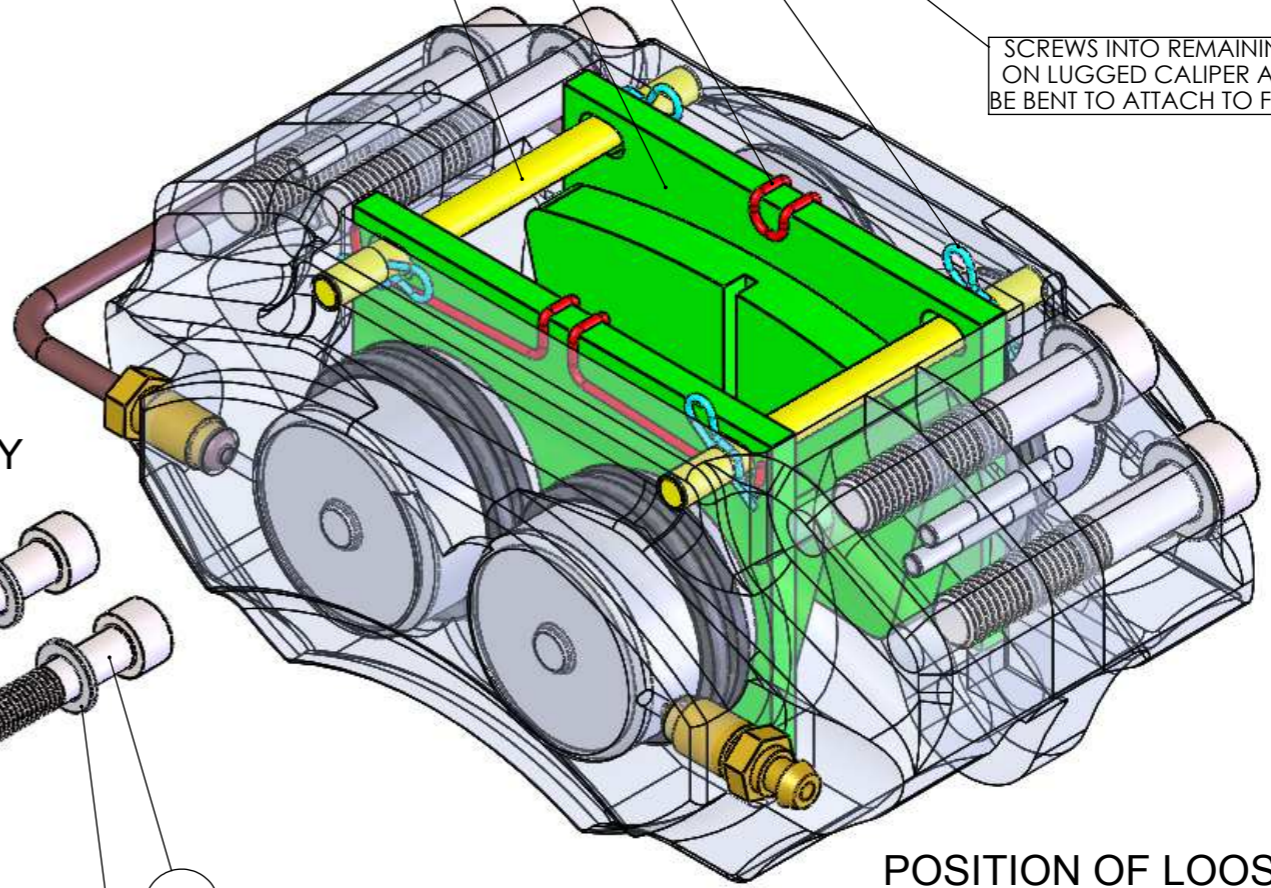
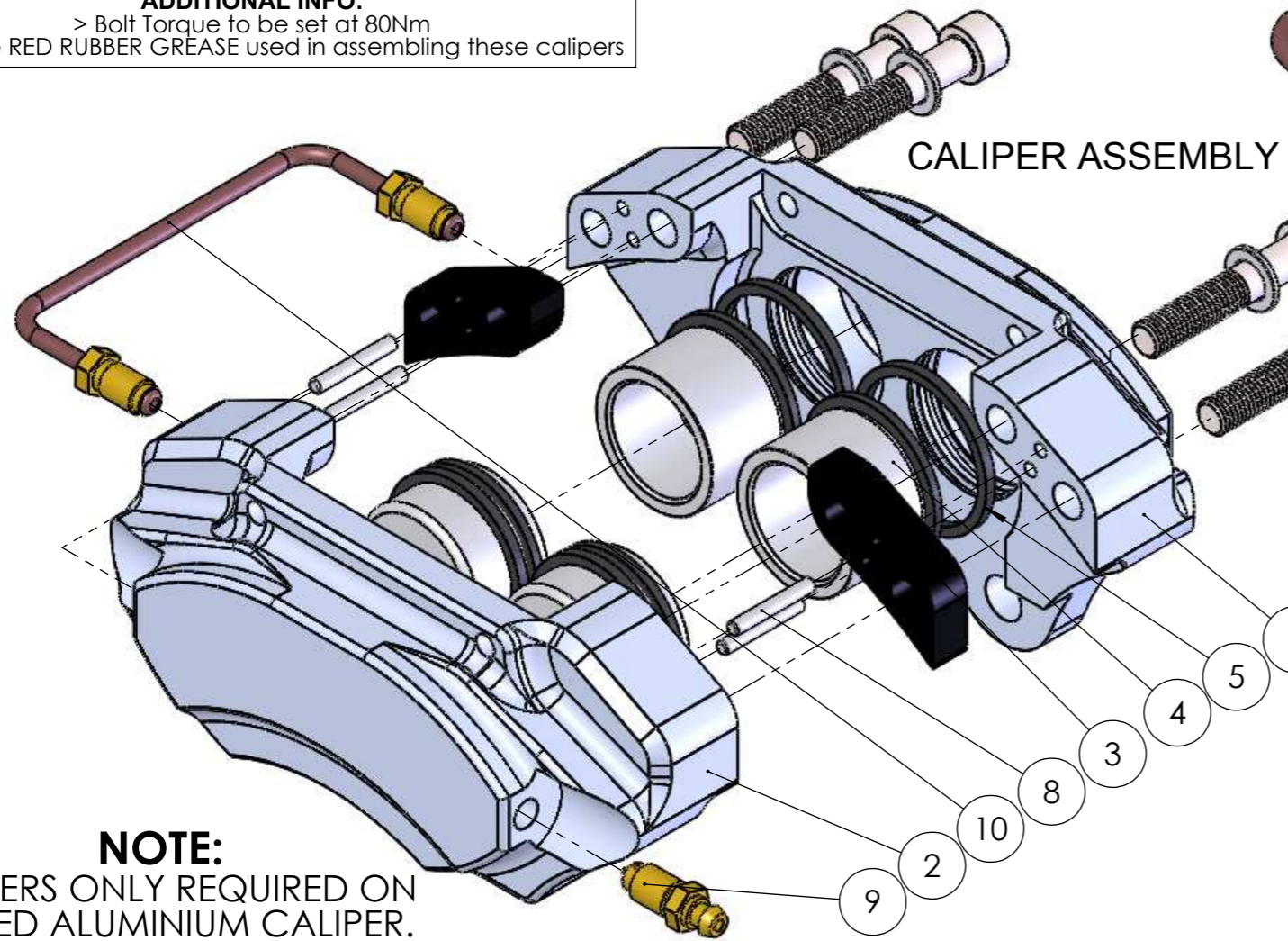
# GOODWOOD CALIPER ASSEMBLIES

**STANDARD COMPONENTS**

**OPTIONAL UPGRADES**



**ADDITIONAL INFO:**  
 > Bolt Torque to be set at 80Nm  
 > Granville RED RUBBER GREASE used in assembling these calipers



POSITION OF LOOSE PARTS IN ASSEMBLY

**NOTE:**  
 SPACERS ONLY REQUIRED ON VENTED ALUMINIUM CALIPER.

DIMENSIONS ARE IN MILLIMETERS.  
 NO DECIMAL PLACE ± 0.50  
 ONE DECIMAL PLACE ± 0.25  
 TWO DECIMAL PLACES ± 0.10  
 ANGULAR DIMENSIONS : ± 0.25° BEND: ± 0.5°  
 SURFACE FINISH : UNLESS STATED OTHERWISE.  
 CRITICAL DIMENSION

<http://www.britishclassiccars.com>  
[+44\(0\)1209 202800 info@bcc-parts.com](mailto:info@bcc-parts.com)

NAME	SIGNATURE	DATE
DRAWN NTW		09/08/2016
CHK'D		
APP'VD		
MFG		

DEBUR AND BREAK SHARP EDGES

THIRD ANGLE PROJECTION

PROPRIETARY AND CONFIDENTIAL  
 THE INFORMATION CONTAINED IN THIS DRAWING IS THE SOLE PROPERTY OF BC Car Parts Ltd. ANY REPRODUCTION IN PART OR AS A WHOLE WITHOUT THE WRITTEN PERMISSION OF BC Car Parts Ltd IS PROHIBITED.

CUSTOMER: BC Car Parts

DESIGN TYPE	SIMPLE	COMPLEX
		X

MATERIAL: VARIOUS FINISH: AS ASSEMBLED

TITLE: **GOODWOOD CALIPERS**

DWG NO. **BCC 0101 / BCC 0108**

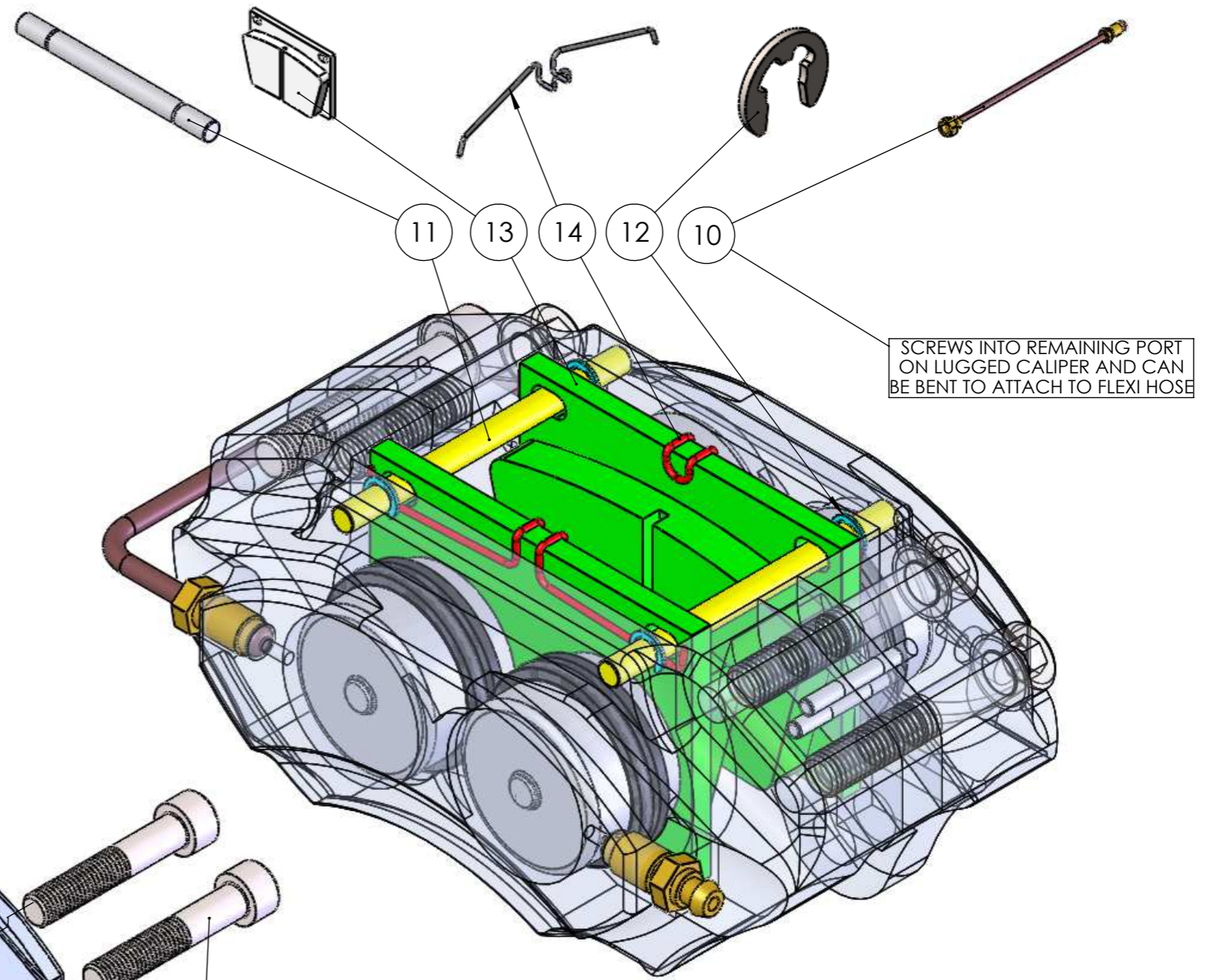
SCALE: NTS REVISION : REV.

BCC A3L

A3

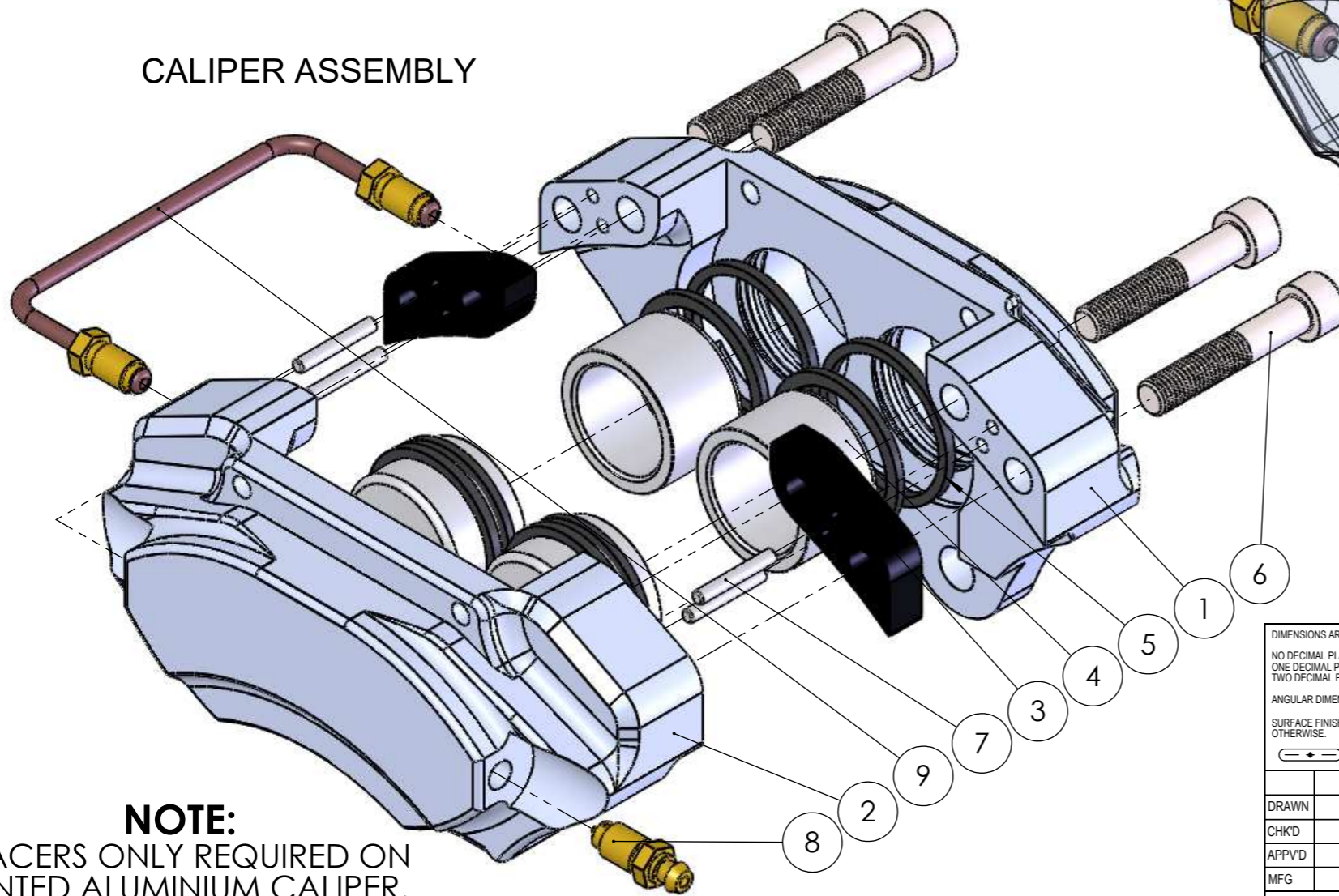
# KNOCKHILL CALIPER ASSEMBLIES

	BALLOON NO.	DESCRIPTION	QUANTITY	PART NO.	
				VENTED	NON-VENTED
STANDARD COMPONENTS	1	Lugged Caliper	2	BCC 0013	
	2	Plain Caliper	2	BCC 0014	
	3	Spacers	4	BCC 0055	N/A
	4	Pistons	8	BCC 0046	
	5	Seal Kits	2	BCC 0043	
	6	Bolts	8	M10X55BZP	M10X45BZP
	7	Dowels	8	DP884X28	DP554X20
	8	Bleed Nipple	2	BCC 0042	
	9	Bridge Pipe	2	BCC 0034	BCC 0033
	10	Feed Pipes	2	BCC 0051	
	11	Brake Pad Pins	4	BCC 0037	BCC 0057
	12	Brake Pad Pin Clips	8	5ECLIP	
OPTIONAL UPGRADES	13/14	Brake Pads	1	NORMAL PADS: DP108 PREMIUM PADS: DP2108	
	6	Stainless Steel Bolts	8	BCC 0039	BCC 0038



SCREWS INTO REMAINING PORT ON LUGGED CALIPER AND CAN BE BENT TO ATTACH TO FLEXI HOSE

## CALIPER ASSEMBLY



## POSITION OF LOOSE PARTS IN ASSEMBLY

**NOTE:**  
SPACERS ONLY REQUIRED ON VENTED ALUMINIUM CALIPER.

DIMENSIONS ARE IN MILLIMETERS.  
NO DECIMAL PLACE ± 0.50  
ONE DECIMAL PLACE ± 0.25  
TWO DECIMAL PLACES ± 0.10  
ANGULAR DIMENSIONS : ± 0.25° BEND: ± 0.5°  
SURFACE FINISH : UNLESS STATED OTHERWISE  
CRITICAL DIMENSION



	NAME	SIGNATURE	DATE
DRAWN	NTW		09/08/2016
CHK'D			
APP'VD			
MFG			

THIRD ANGLE PROJECTION  
PROPRIETARY AND CONFIDENTIAL  
THE INFORMATION CONTAINED IN THIS DRAWING IS THE SOLE PROPERTY OF BC Car Parts Ltd. ANY REPRODUCTION IN PART OR AS A WHOLE WITHOUT THE WRITTEN PERMISSION OF BC Car Parts Ltd IS PROHIBITED.

CUSTOMER: BC Car Parts	
DESIGN TYPE	SIMPLE . COMPLEX X
MATERIAL: VARIOUS	FINISH: AS ASSEMBLED
TITLE: <b>KNOCKHILL CALIPERS</b>	
DWG NO. <b>BCC 0102</b>	<b>A3</b>
SCALE: NTS	REVISION : REV.

LOCATION: F:\Solidworks\BCC\Brakes\ASSEMBLIES\

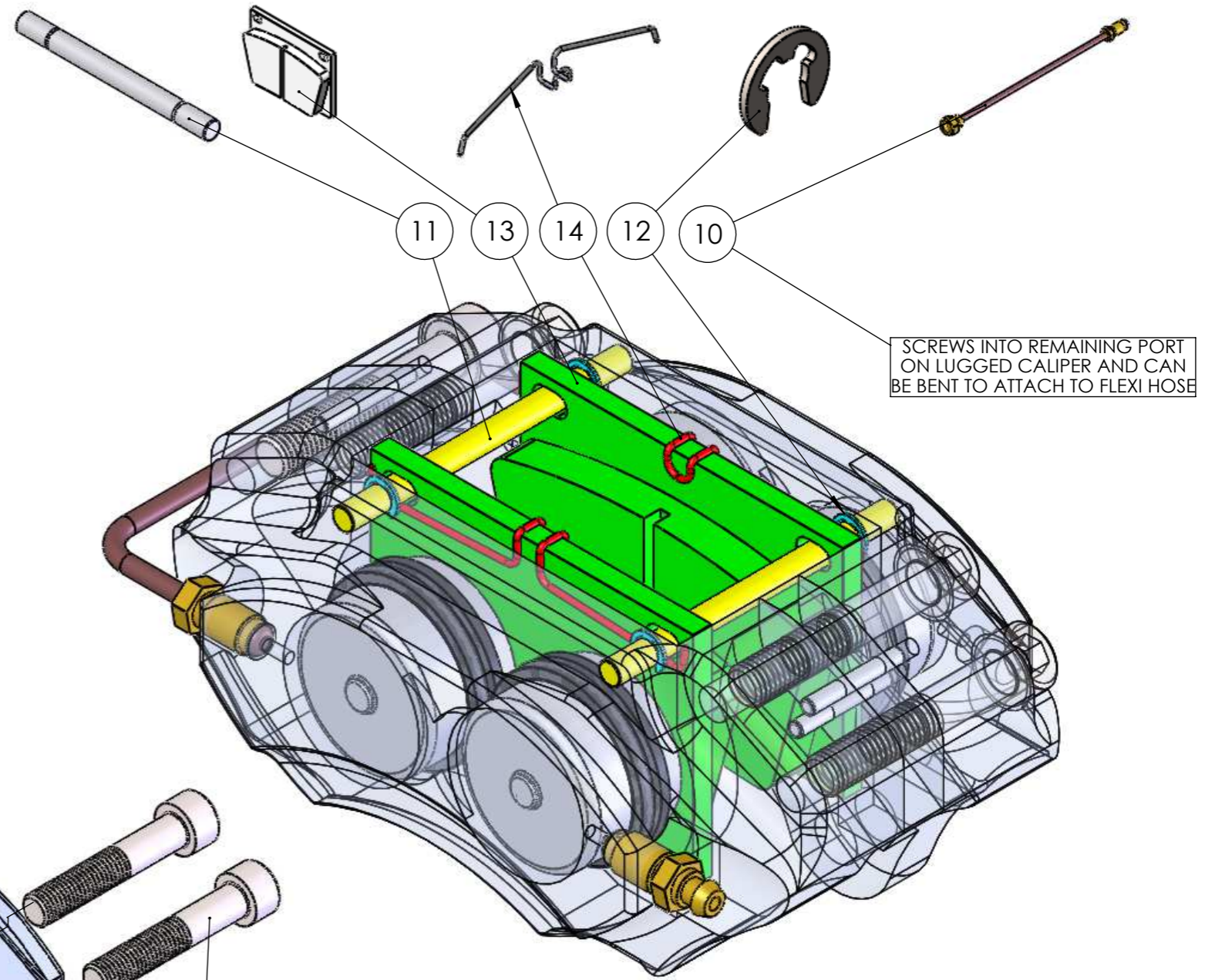
BCC A3L

# OULTON CALIPER ASSEMBLIES

BALLOON NO.	DESCRIPTION	QUANTITY	PART NO.	
			BCC 0103	BCC 0110
			NON-VENTED	V8 NON-VENTED
1	Lugged Caliper	2	BCC 0021	BCC 0075
2	Plain Caliper	2	BCC 0022	BCC 0076
3	Spacers	4	N/A	
4	Pistons	8	BCC 0047	
5	Seal Kits	2	BCC 0044	
6	Bolts	8	M10X45BZP	
7	Dowels	8	DP554X20	
8	Bleed Nipple	2	BCC 0042	
9	Bridge Pipe	2	BCC 0033	
10	Feed Pipes	2	BCC 0051	
11	Brake Pad Pins	4	BCC 0035	
12	Brake Pad Pin Clips	8	5ECLIP	
13/14	Brake Pads	1	NORMAL PADS: DP108 PREMIUM PADS: DP2108	
6	Stainless Steel Bolts	8	BCC 0038	

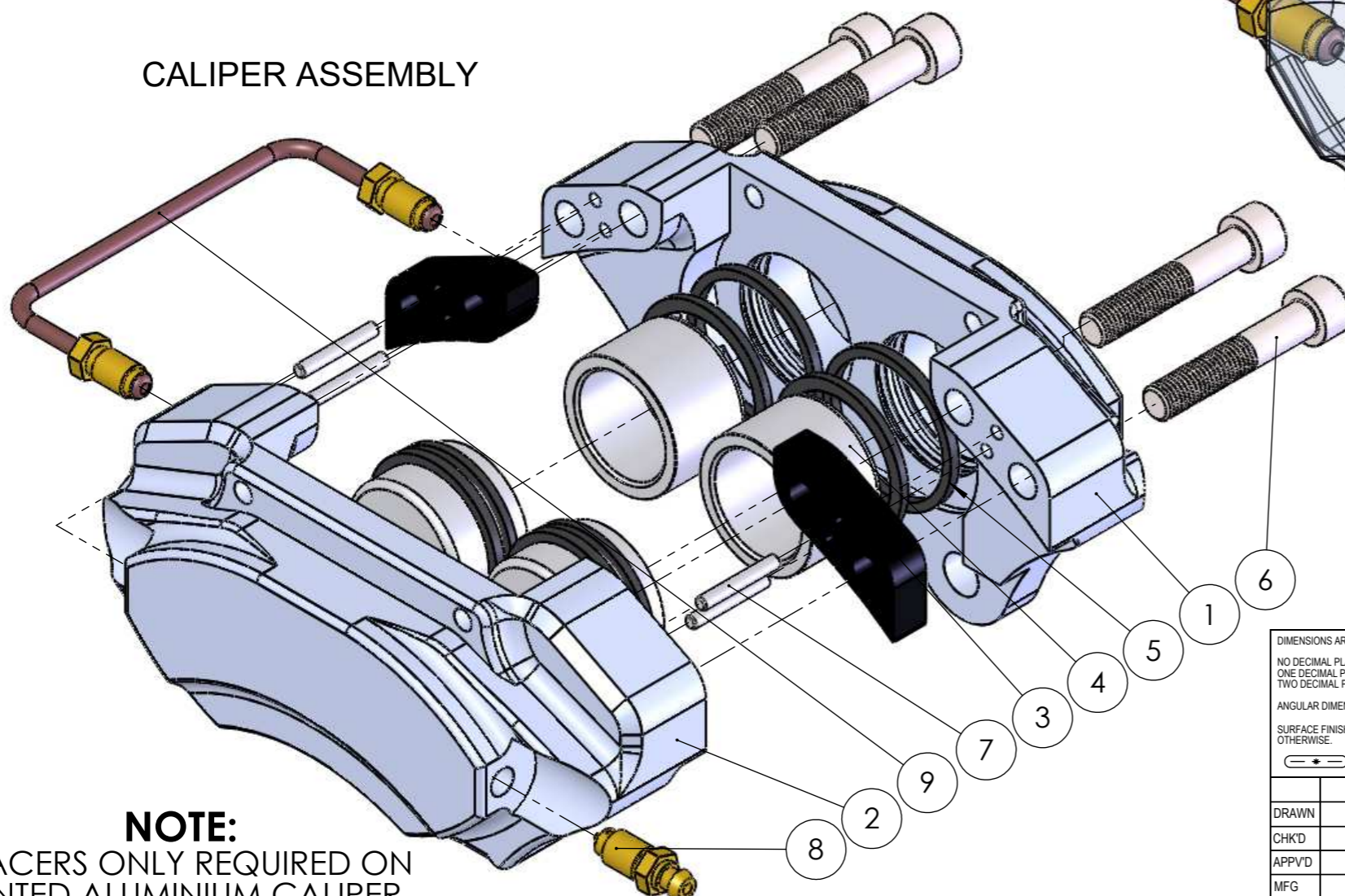
STANDARD COMPONENTS

OPTIONAL UPGRADES



SCREWS INTO REMAINING PORT ON LUGGED CALIPER AND CAN BE BENT TO ATTACH TO FLEXI HOSE

## CALIPER ASSEMBLY



POSITION OF LOOSE PARTS IN ASSEMBLY

**NOTE:**  
SPACERS ONLY REQUIRED ON VENTED ALUMINIUM CALIPER.

DIMENSIONS ARE IN MILLIMETERS.  
NO DECIMAL PLACE ± 0.50  
ONE DECIMAL PLACE ± 0.25  
TWO DECIMAL PLACES ± 0.10  
ANGULAR DIMENSIONS : ± 0.25° BEND: ± 0.5°  
SURFACE FINISH : UNLESS STATED OTHERWISE  
CRITICAL DIMENSION



NAME	SIGNATURE	DATE
DRAWN: NTW		09/08/2016
CHK'D:		
APP'VD:		
MFG:		

THIRD ANGLE PROJECTION  
PROPRIETARY AND CONFIDENTIAL  
THE INFORMATION CONTAINED IN THIS DRAWING IS THE SOLE PROPERTY OF BC Car Parts Ltd. ANY REPRODUCTION IN PART OR AS A WHOLE WITHOUT THE WRITTEN PERMISSION OF BC Car Parts Ltd IS PROHIBITED.

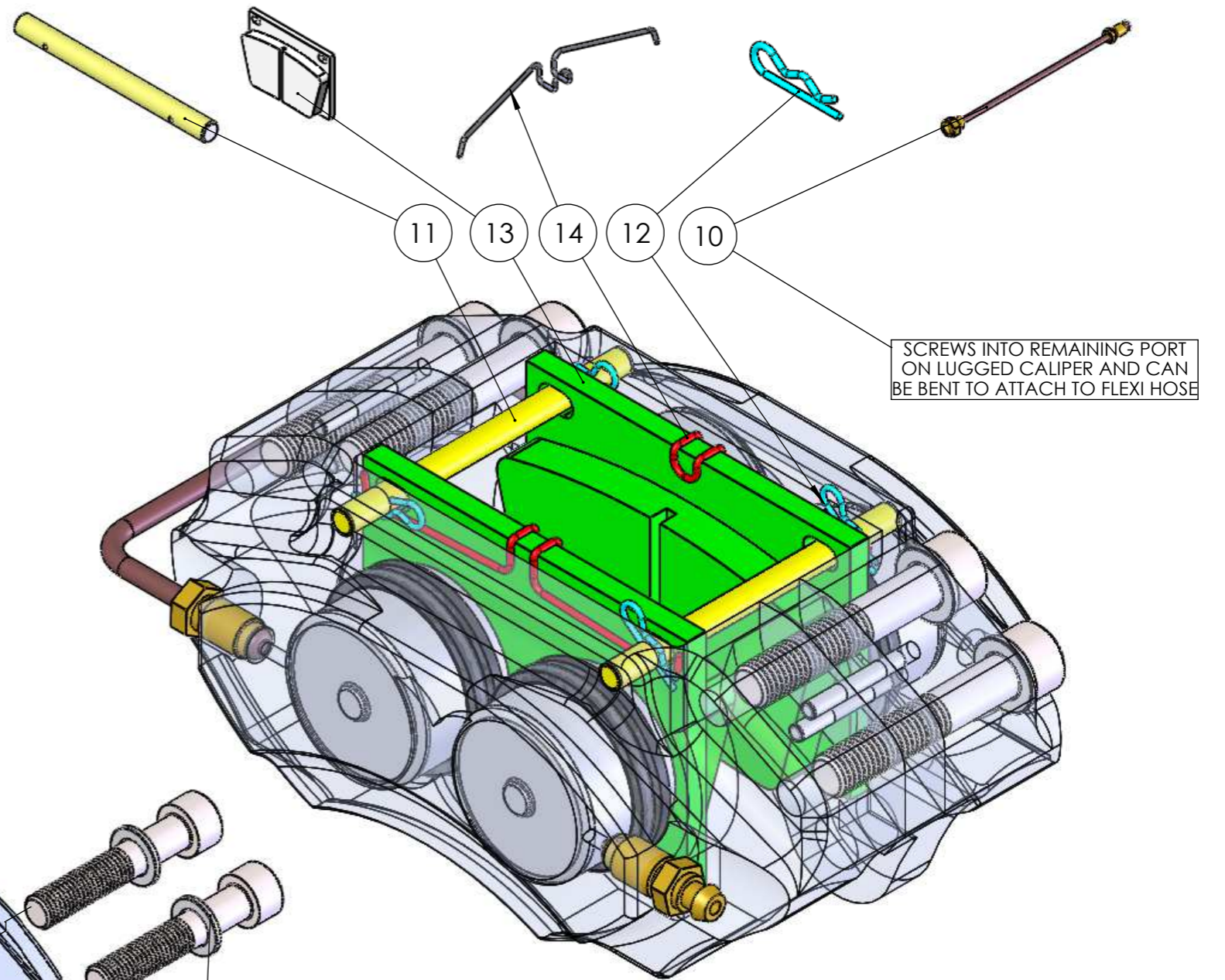
CUSTOMER: BC Car Parts	
DESIGN TYPE	SIMPLE . COMPLEX X
MATERIAL: VARIOUS	FINISH: AS ASSEMBLED
TITLE: OULTON CALIPERS	
DWG NO. BCC 0103 / BCC 0110	A3
SCALE: NTS	REVISION : REV.

LOCATION: F:\Solidworks\BCC\Brakes\ASSEMBLIES\

BCC A3L

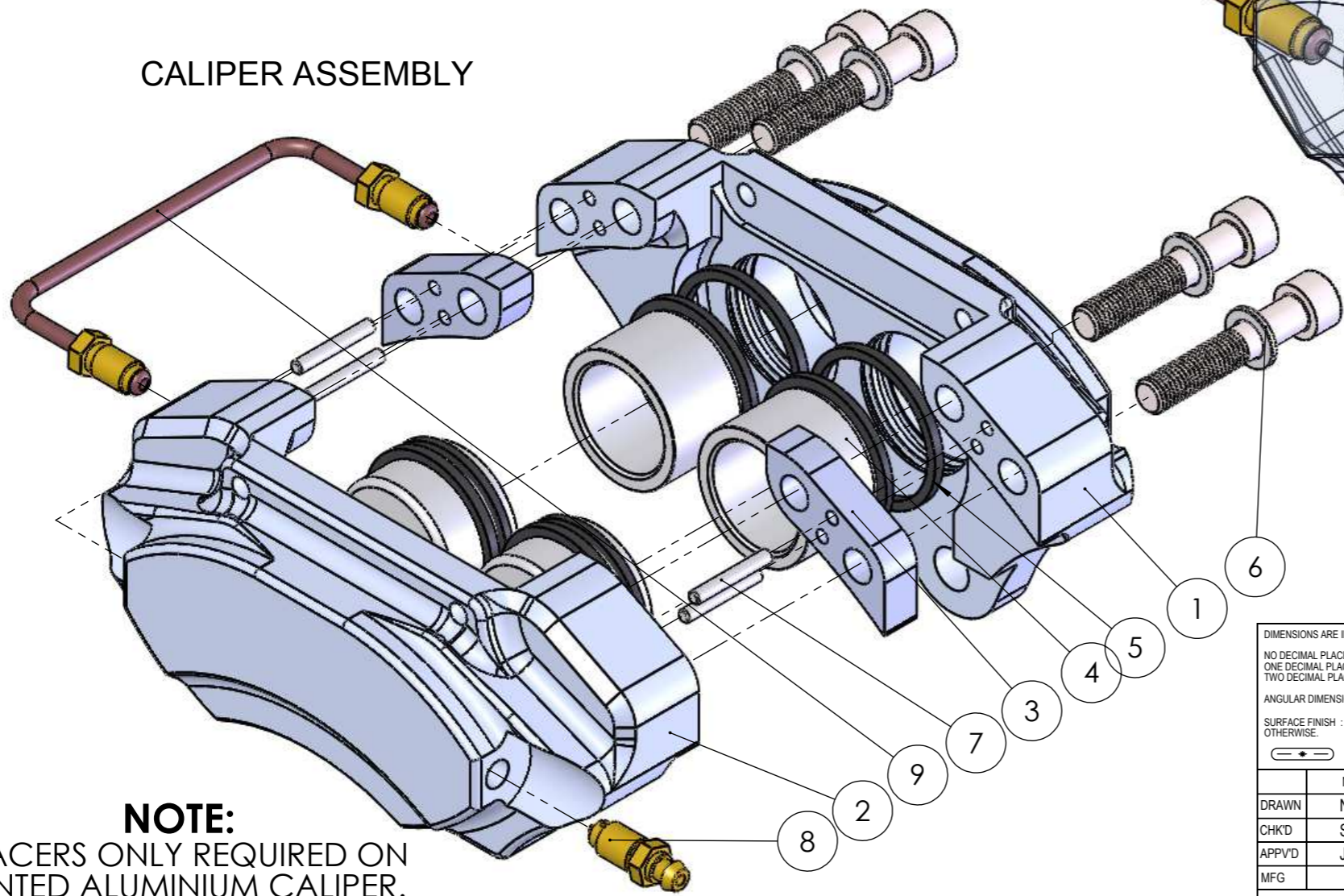
# MALLORY CALIPER ASSEMBLIES

	BALLOON NO.	DESCRIPTION	QUANTITY	PART NO.	
				VENTED	NON-VENTED
STANDARD COMPONENTS	1	Lugged Caliper	2	BCC 0017	
	2	Plain Caliper	2	BCC 0162	
	3	Spacers	4	BCC 0056	N/A
	4	Pistons	8	BCC 0047	
	5	Seal Kits	2	BCC 0044	
	6	Bolts	8	BCC 0171	BCC 0170
	7	Dowels	8	BCC 0175	BCC 0174
	8	Bleed Nipple	2	BCC 0042	
	9	Bridge Pipe	2	BCC 0034	BCC 0033
	10	Feed Pipes	2	BCC 0051	
	11	Brake Pad Pins	4	BCC 0037	BCC 0057
	12	Brake Pad Pin Clips	8	5ECLIP	
OPTIONAL UPGRADES	13/14	Brake Pads	1	NORMAL PADS: DP325 PREMIUM PADS: DP2325	
	6	Stainless Steel Bolts	8	BCC 0039	BCC 0038



SCREWS INTO REMAINING PORT ON LUGGED CALIPER AND CAN BE BENT TO ATTACH TO FLEXI HOSE

## CALIPER ASSEMBLY



POSITION OF LOOSE PARTS IN ASSEMBLY

**NOTE:**  
SPACERS ONLY REQUIRED ON VENTED ALUMINIUM CALIPER.

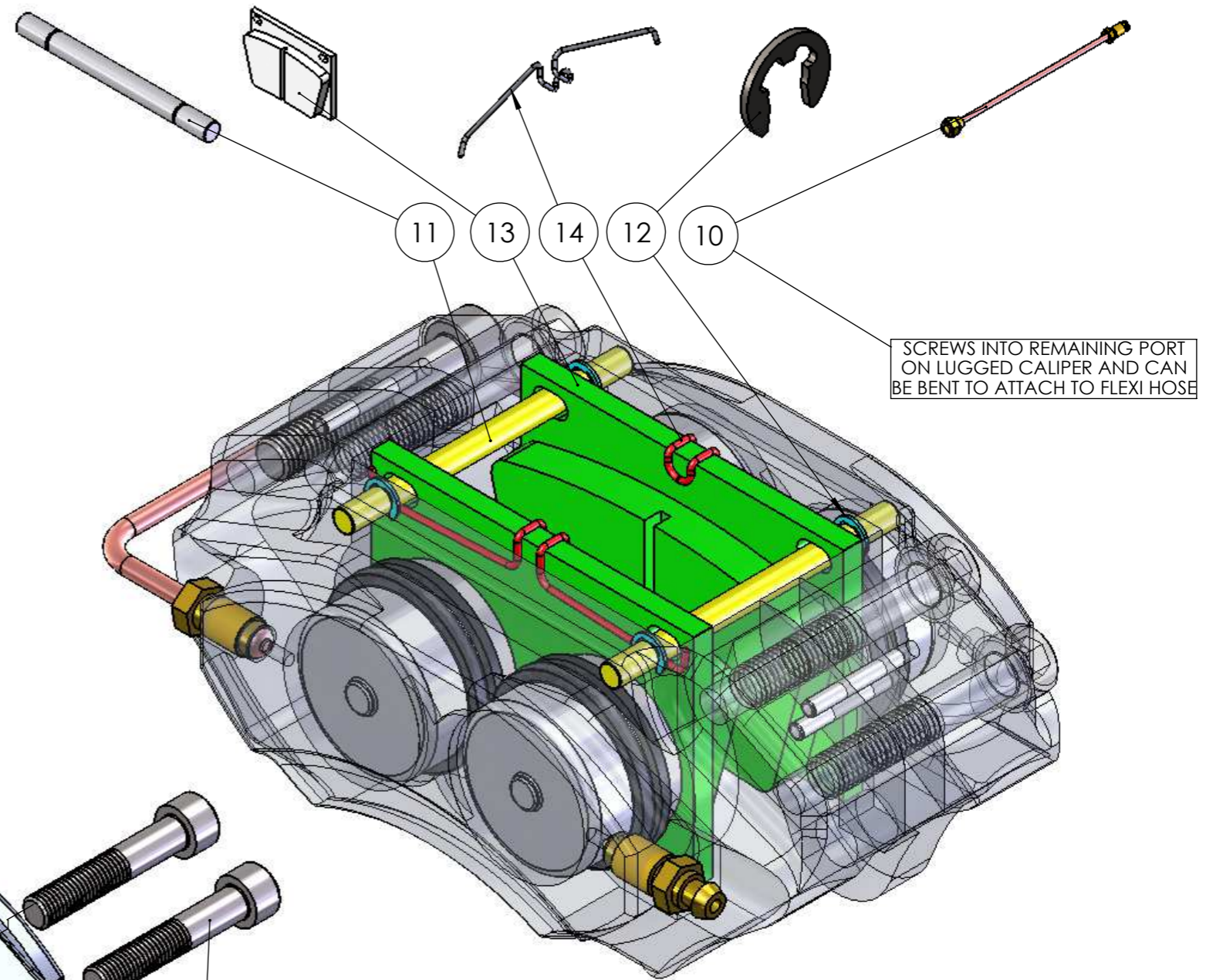
DIMENSIONS ARE IN MILLIMETERS. NO DECIMAL PLACE ± 0.50 ONE DECIMAL PLACE ± 0.25 TWO DECIMAL PLACES ± 0.10 ANGULAR DIMENSIONS : ± 0.25° BEND: ± 0.5° SURFACE FINISH : UNLESS STATED OTHERWISE CRITICAL DIMENSION		 <b>BRITISH MADE CLASSIC CAR PARTS</b> <a href="http://www.britishclassiccarparts.com">http://www.britishclassiccarparts.com</a> <a href="mailto:info@bcc-parts.com">+44(0)1209 202800 info@bcc-parts.com</a>		CUSTOMER: BC Car Parts																
<table border="1"> <tr> <td>NAME</td> <td>SIGNATURE</td> <td>DATE</td> </tr> <tr> <td>DRAWN</td> <td>NTW</td> <td>09/08/2016</td> </tr> <tr> <td>CHK'D</td> <td>SH</td> <td>16/05/2017</td> </tr> <tr> <td>APP'VD</td> <td>JG</td> <td>16/05/2016</td> </tr> <tr> <td>MFG</td> <td></td> <td></td> </tr> </table>		NAME	SIGNATURE	DATE	DRAWN	NTW	09/08/2016	CHK'D	SH	16/05/2017	APP'VD	JG	16/05/2016	MFG			 THIRD ANGLE PROJECTION PROPRIETARY AND CONFIDENTIAL THE INFORMATION CONTAINED IN THIS DRAWING IS THE SOLE PROPERTY OF BC Car Parts Ltd. ANY REPRODUCTION IN PART OR AS A WHOLE WITHOUT THE WRITTEN PERMISSION OF BC Car Parts Ltd IS PROHIBITED.		DESIGN TYPE: SIMPLE . COMPLEX X MATERIAL: VARIOUS FINISH: AS ASSEMBLED	
NAME	SIGNATURE	DATE																		
DRAWN	NTW	09/08/2016																		
CHK'D	SH	16/05/2017																		
APP'VD	JG	16/05/2016																		
MFG																				
DEBUR AND BREAK SHARP EDGES				TITLE: <b>MALLORY CALIPERS</b>																
LOCATION: F:\Solidworks\BCC\Brakes\ASSEMBLIES\GOODWOOD - BCC 0101 0108\				DWG NO. <b>BCC 0104</b>																
				SCALE: NTS REVISION : REV.																

BCC A3L

A3

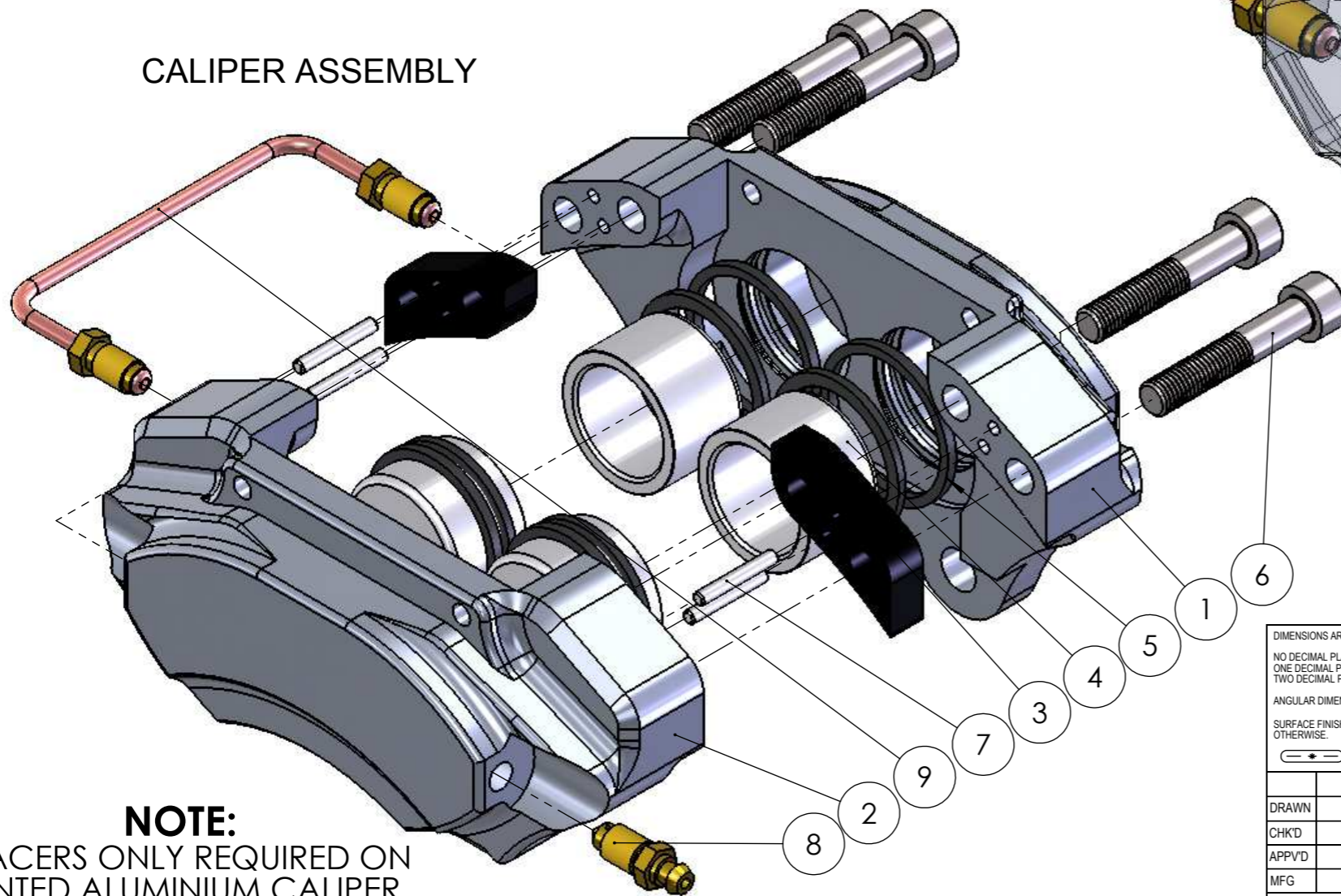
# PEMBREY CALIPER ASSEMBLY

	BALLOON NO.	DESCRIPTION	QUANTITY	PART NO.
				NON-VENTED
STANDARD COMPONENTS	1	Lugged Caliper	2	BCC 0023
	2	Plain Caliper	2	BCC 0024
	3	Spacers	4	N/A
	4	Pistons	8	BCC 0047
	5	Seal Kits	2	BCC 0044
	6	Bolts	8	M10X45BZP
	7	Dowels	8	DP554X20
	8	Bleed Nipple	2	BCC 0042
	9	Bridge Pipe	2	BCC 0070
	10	Feed Pipes	2	BCC 0051
	11	Brake Pad Pins	4	BCC 0035
	12	Brake Pad Pin Clips	8	5ECLIP
OPTIONAL UPGRADES	13/14	Brake Pads	1	NORMAL PADS: DP325 PREMIUM PADS: DP2325
	6	Stainless Steel Bolts	8	BCC 0038



SCREWS INTO REMAINING PORT ON LUGGED CALIPER AND CAN BE BENT TO ATTACH TO FLEXI HOSE

## CALIPER ASSEMBLY



POSITION OF LOOSE PARTS IN ASSEMBLY

**NOTE:**  
SPACERS ONLY REQUIRED ON VENTED ALUMINIUM CALIPER.

DIMENSIONS ARE IN MILLIMETERS.  
 NO DECIMAL PLACE ± 0.50  
 ONE DECIMAL PLACE ± 0.25  
 TWO DECIMAL PLACES ± 0.10  
 ANGULAR DIMENSIONS : ± 0.25° BEND: ± 0.5°  
 SURFACE FINISH : UNLESS STATED OTHERWISE  
 CRITICAL DIMENSION



	NAME	SIGNATURE	DATE
DRAWN	NTW		09/08/2016
CHK'D			
APP'VD			
MFG			

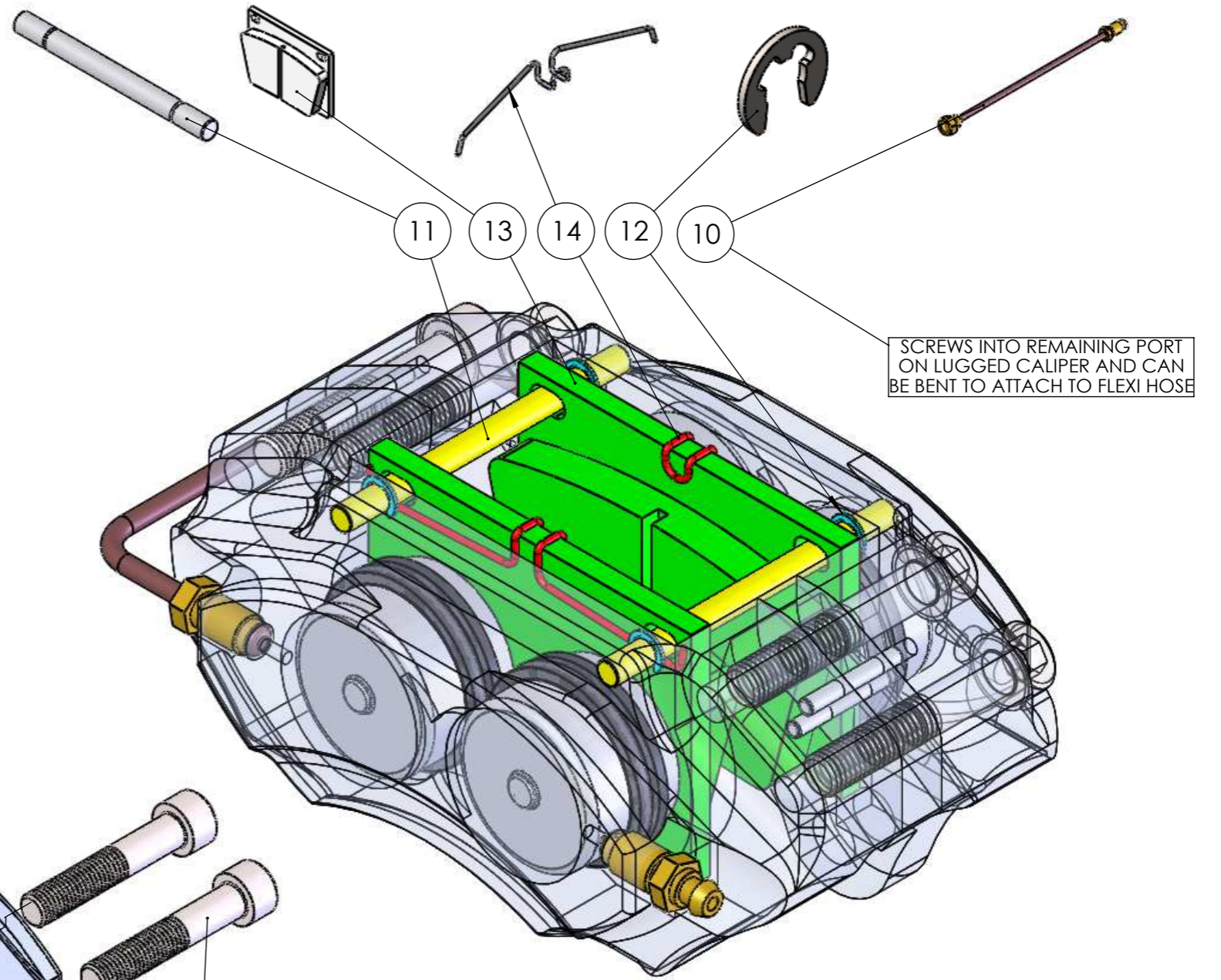
THIRD ANGLE PROJECTION  
 PROPRIETARY AND CONFIDENTIAL  
 THE INFORMATION CONTAINED IN THIS DRAWING IS THE SOLE PROPERTY OF BC Car Parts Ltd. ANY REPRODUCTION IN PART OR AS A WHOLE WITHOUT THE WRITTEN PERMISSION OF BC Car Parts Ltd IS PROHIBITED.

CUSTOMER: BC Car Parts	
DESIGN TYPE	SIMPLE . COMPLEX X
MATERIAL: VARIOUS	FINISH: AS ASSEMBLED
TITLE: <b>PEMBREY CALIPER</b>	
DWG NO. <b>BCC 0105</b>	<b>A3</b>
SCALE: NTS	REVISION : REV.

LOCATION: F:\Solidworks\BCC\Brakes\ASSEMBLIES\

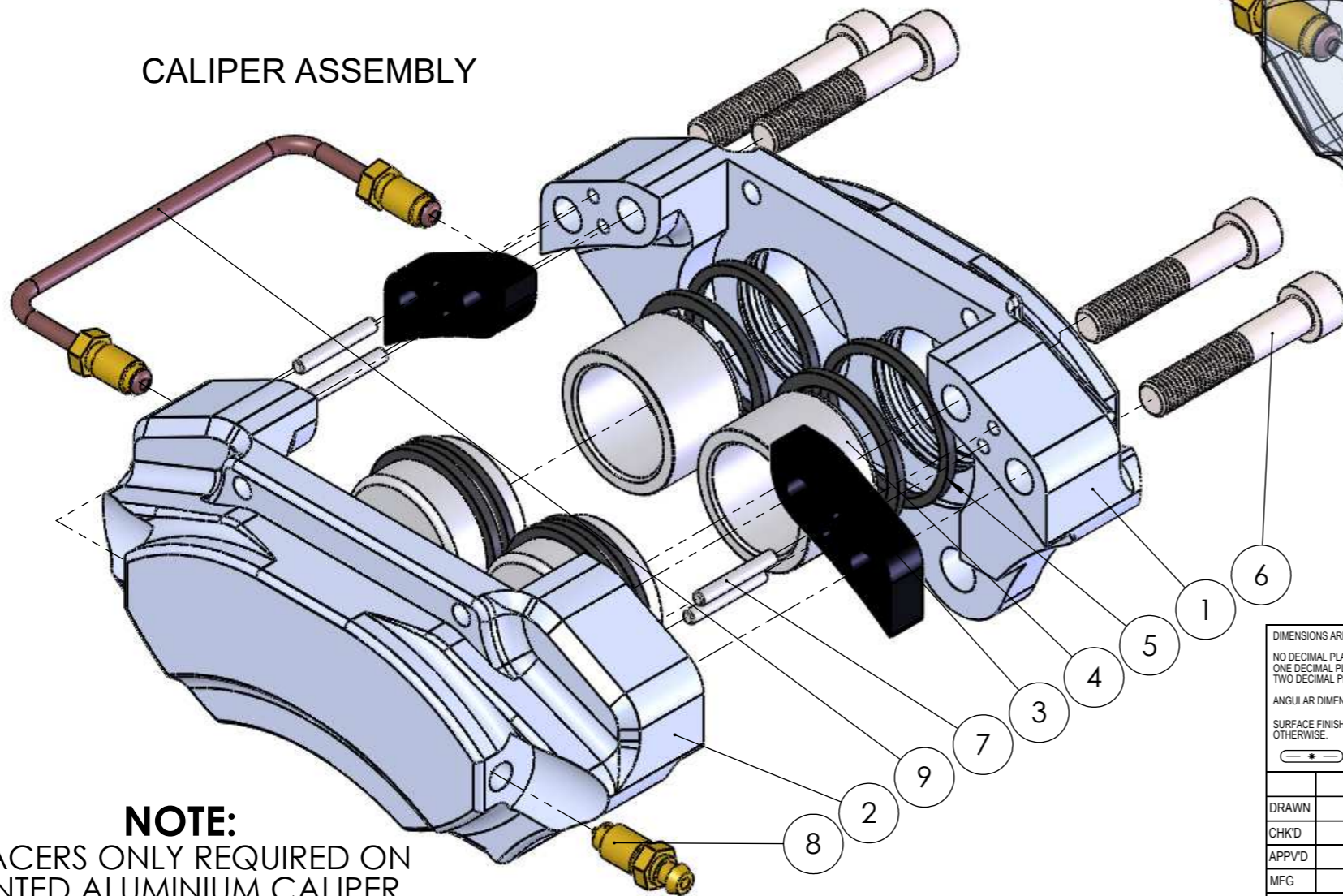
# THRUXTON CALIPER ASSEMBLIES

	BALLOON NO.	DESCRIPTION	QUANTITY	PART NO.	
				NON-VENTED	VENTED
STANDARD COMPONENTS	1	Lugged Caliper	2	BCC 0028	
	2	Plain Caliper	2	BCC 0029	
	3	Spacers	4	N/A	BCC 0056
	4	Pistons	8	BCC 0047	
	5	Seal Kits	2	BCC 0044	
	6	Bolts	8	M10X45BZP	M10X55BZP
	7	Dowels	8	DP554X20	DP884X28
	8	Bleed Nipple	2	BCC 0042	
	9	Bridge Pipe	2	BCC 0033	BCC 0034
	10	Feed Pipes	2	BCC 0051	
	11	Brake Pad Pins	4	BCC 0057	BCC 0037
	12	Brake Pad Pin Clips	8	5ECLIP	
OPTIONAL UPGRADES	13/14	Brake Pads	1	NORMAL PADS: DP325 PREMIUM PADS: DP2325	
	6	Stainless Steel Bolts	8	BCC 0038	BCC 0039



SCREWS INTO REMAINING PORT ON LUGGED CALIPER AND CAN BE BENT TO ATTACH TO FLEXI HOSE

## CALIPER ASSEMBLY



POSITION OF LOOSE PARTS IN ASSEMBLY

**NOTE:**  
SPACERS ONLY REQUIRED ON VENTED ALUMINIUM CALIPER.

DIMENSIONS ARE IN MILLIMETERS.  
NO DECIMAL PLACE ± 0.50  
ONE DECIMAL PLACE ± 0.25  
TWO DECIMAL PLACES ± 0.10  
ANGULAR DIMENSIONS : ± 0.25° BEND: ± 0.5°  
SURFACE FINISH : UNLESS STATED OTHERWISE  
CRITICAL DIMENSION



	NAME	SIGNATURE	DATE
DRAWN	NTW		09/08/2016
CHK'D			
APP'VD			
MFG			

THIRD ANGLE PROJECTION  
PROPRIETARY AND CONFIDENTIAL  
THE INFORMATION CONTAINED IN THIS DRAWING IS THE SOLE PROPERTY OF BC Car Parts Ltd. ANY REPRODUCTION IN PART OR AS A WHOLE WITHOUT THE WRITTEN PERMISSION OF BC Car Parts Ltd IS PROHIBITED.

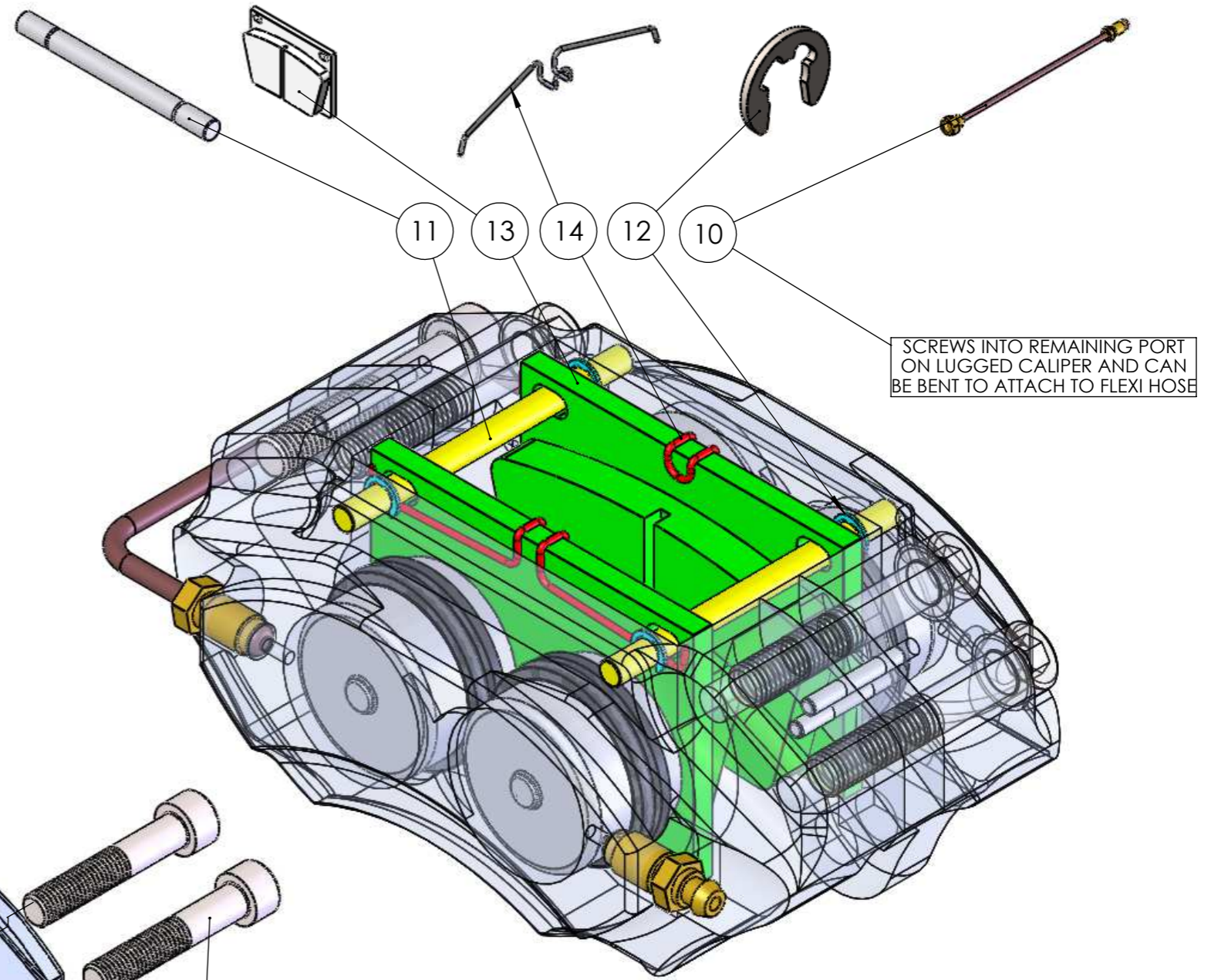
CUSTOMER: BC Car Parts	
DESIGN TYPE	SIMPLE . COMPLEX X
MATERIAL: VARIOUS	FINISH: AS ASSEMBLED
TITLE: <b>THRUXTON CALIPERS</b>	
DWG NO. <b>BCC 0106</b>	<b>A3</b>
SCALE: NTS	REVISION : REV.

LOCATION: F:\Solidworks\BCC\Brakes\ASSEMBLIES\

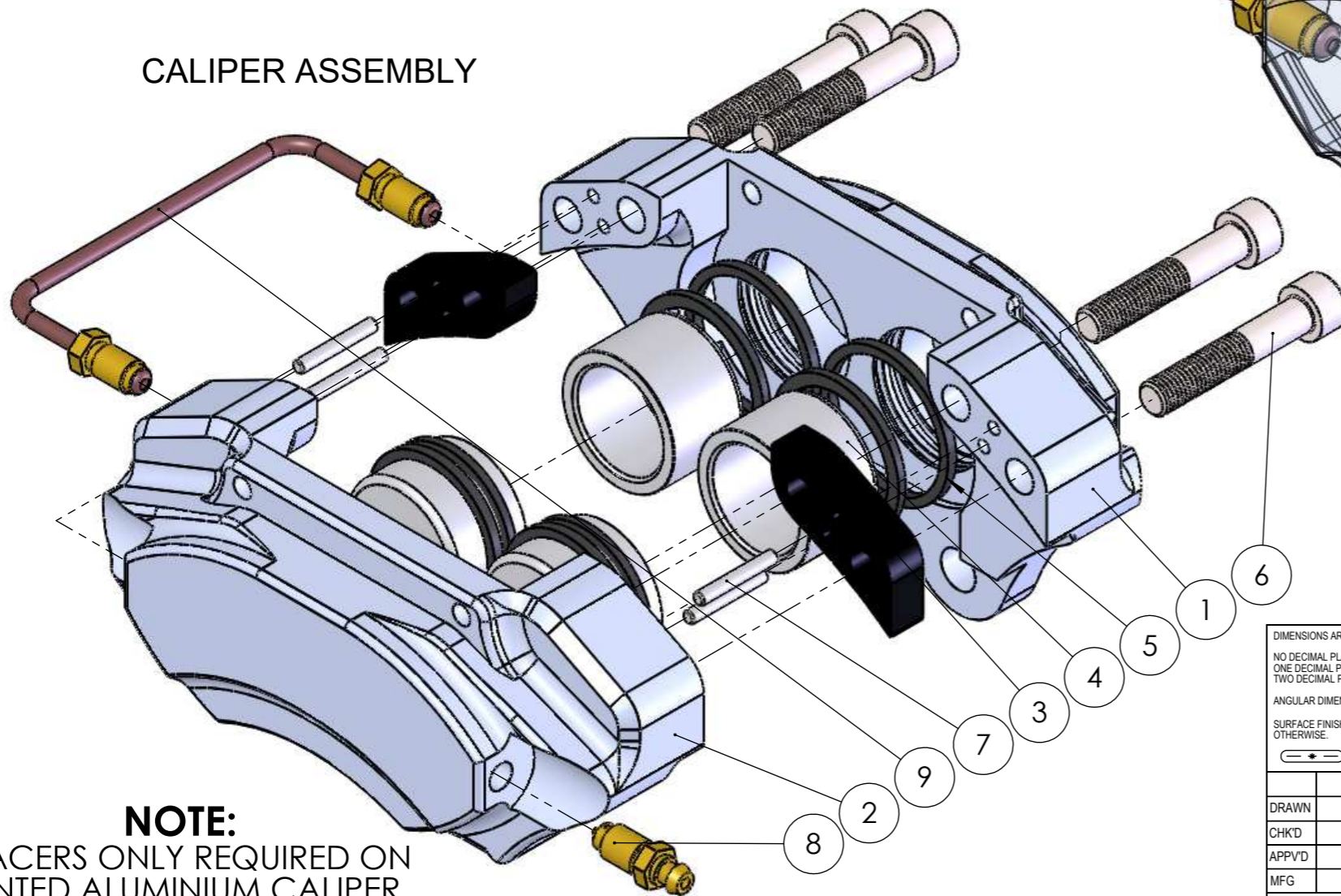
BCC A3L

# SILVERSTONE CALIPER ASSEMBLY

	BALLOON NO.	DESCRIPTION	QUANTITY	PART NO.
				NON-VENTED
STANDARD COMPONENTS	1	Lugged Caliper	2	BCC 0026
	2	Plain Caliper	2	BCC 0027
	3	Spacers	4	N/A
	4	Pistons	8	BCC 0046
	5	Seal Kits	2	BCC 0043
	6	Bolts	8	M10X45BZP
	7	Dowels	8	DP554X20
	8	Bleed Nipple	2	BCC 0042
	9	Bridge Pipe	2	BCC 0033
	10	Feed Pipes	2	N/A
	11	Brake Pad Pins	4	BCC 0057
	12	Brake Pad Pin Clips	8	5ECLIP
OPTIONAL UPGRADES	13/14	Brake Pads	1	NORMAL PADS: DP108 PREMIUM PADS: DP2108
	6	Stainless Steel Bolts	8	BCC 0038



## CALIPER ASSEMBLY



## POSITION OF LOOSE PARTS IN ASSEMBLY

**NOTE:**  
SPACERS ONLY REQUIRED ON VENTED ALUMINIUM CALIPER.

DIMENSIONS ARE IN MILLIMETERS.  
 NO DECIMAL PLACE ± 0.50  
 ONE DECIMAL PLACE ± 0.25  
 TWO DECIMAL PLACES ± 0.10  
 ANGULAR DIMENSIONS : ± 0.25° BEND: ± 0.5°  
 SURFACE FINISH : UNLESS STATED OTHERWISE  
 CRITICAL DIMENSION



	NAME	SIGNATURE	DATE
DRAWN	NTW		09/08/2016
CHK'D			
APP'VD			
MFG			

THIRD ANGLE PROJECTION  
 PROPRIETARY AND CONFIDENTIAL  
 THE INFORMATION CONTAINED IN THIS DRAWING IS THE SOLE PROPERTY OF BC Car Parts Ltd. ANY REPRODUCTION IN PART OR AS A WHOLE WITHOUT THE WRITTEN PERMISSION OF BC Car Parts Ltd IS PROHIBITED.

LOCATION: F:\Solidworks\BCC\Brakes\ASSEMBLIES\

CUSTOMER: BC Car Parts	
DESIGN TYPE	SIMPLE . COMPLEX X
MATERIAL: VARIOUS	FINISH: AS ASSEMBLED
TITLE: SILVERSTONE CALIPER	
DWG NO. BCC 0107	A3
SCALE: NTS	REVISION : REV.

BCC A3L